

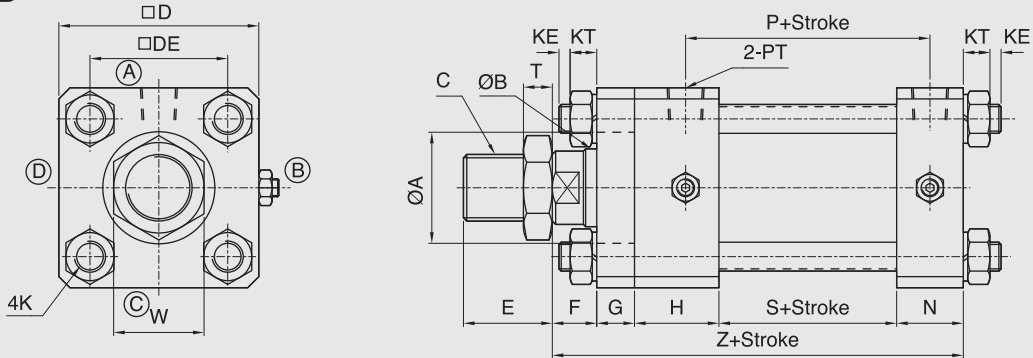
HOB, HOD

Series

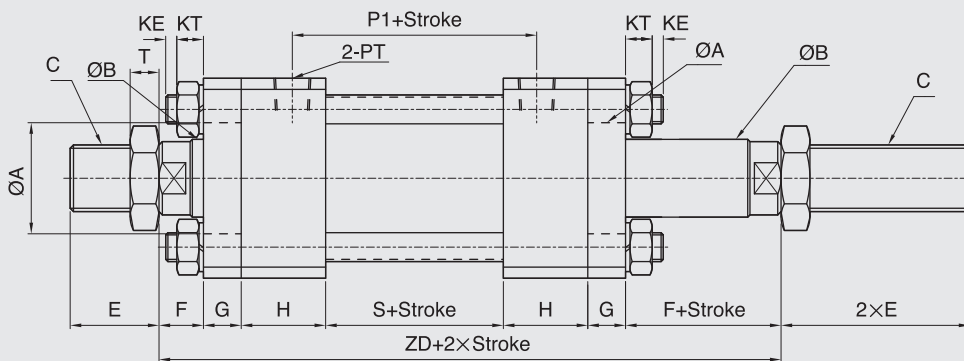
方型重油油壓缸尺寸圖

14Mpa Hydraulic Cylinders Dimensional Features

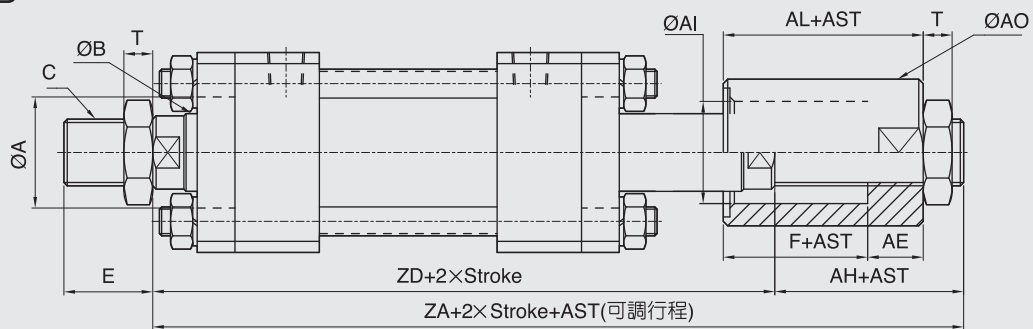
HOB HO+B(標準型) TYPE



HOD HO+D(雙軸型) TYPE



HOD HOD+AST(雙軸型附可調帽) TYPE



HOB-HOD TYPE

A(可調行程) TYPE

| BORE | SIZE | ØA | ØB | C | □D | □DE | E | F | G | H | N | P | P1 | PM | PT | K | KE | KT | S | T | W | Z | ZD | ZA | AH | AE | ØAI | ØAO | AL |
|------|------|-----|-----|----------|-----|-----|-----|----|----|----|----|-------|-----|----|-----|-------------|------|------|-----|----|-----|-----|-----|-----|----|----|-----|-----|----|
| Ø40 | | 40 | 25 | M22XP1.5 | 65 | 45 | 40 | 20 | 17 | 33 | 28 | 76 | 74 | 30 | 3/8 | M10XP1.25 | 5.5 | 10.5 | 50 | 13 | 32 | 148 | 190 | 225 | 35 | 20 | 30 | 45 | 40 |
| Ø50 | | 50 | 30 | M26XP1.5 | 80 | 56 | 40 | 20 | 17 | 38 | 30 | 85 | 85 | 35 | 3/8 | M12XP1.5 | 11 | 13 | 55 | 13 | 35 | 160 | 205 | 245 | 40 | 25 | 37 | 55 | 45 |
| Ø63 | | 50 | 35 | M30XP1.5 | 90 | 62 | 45 | 20 | 17 | 38 | 30 | 85 | 85 | 35 | 3/8 | M14XP1.5 | 5.5 | 14.5 | 55 | 13 | 41 | 160 | 205 | 245 | 40 | 25 | 42 | 60 | 45 |
| Ø80 | | 60 | 40 | M30XP1.5 | 110 | 80 | 45 | 20 | 20 | 38 | 35 | 107 | 105 | 50 | 1/2 | M16XP1.5 | 7 | 17 | 75 | 13 | 41 | 188 | 231 | 276 | 45 | 30 | 47 | 70 | 50 |
| Ø100 | | 80 | 50 | M40XP2.0 | 131 | 95 | 55 | 25 | 20 | 41 | 37 | 123.5 | 120 | 60 | 1/2 | M18XP1.5 | 11 | 20 | 90 | 15 | 55 | 213 | 262 | 307 | 45 | 30 | 57 | 90 | 55 |
| Ø125 | | 90 | 60 | M50XP2.0 | 162 | 122 | 70 | 35 | 30 | 57 | 47 | 143 | 140 | 70 | 3/4 | M22XP1.5 | 11.5 | 24 | 100 | 15 | 65 | 269 | 344 | 394 | 50 | 35 | 68 | 100 | 70 |
| Ø150 | | 110 | 80 | M70XP2.0 | 195 | 144 | 80 | 35 | 30 | 60 | 50 | 135 | 130 | 60 | 3/4 | 1"-8UNC | 10 | 30 | 90 | 20 | 90 | 265 | 340 | 400 | 60 | 40 | 90 | 120 | 75 |
| Ø180 | | 135 | 100 | M90XP2.0 | 235 | 175 | 100 | 35 | 40 | 65 | 55 | 172 | 170 | 70 | 1 | 1,1/4"-8UNC | 8 | 37 | 120 | 20 | 110 | 315 | 400 | 465 | 65 | 40 | 110 | 150 | 75 |
| Ø200 | | 135 | 100 | M90XP2.0 | 262 | 193 | 100 | 40 | 40 | 65 | 60 | 175 | 170 | 70 | 1 | 1,1/4"-8UNC | 8 | 37 | 120 | 20 | 110 | 325 | 410 | 475 | 65 | 40 | 110 | 150 | 80 |

備註：

- 軸心加大如未註明長度尺寸時,依照本公司規定自行加工。
- H.O 系列行程未超過1500mm時, 活塞(PM)長度如附表, 訂製行程如超過1500mm時, 活塞(PM)長度請參閱特性資料表。
- 本系列行程超過 2000 (含)mm時, 須加拉桿中間固定座。
- 本系列軸心螺帽規格M50mm(含)以上時, 其外徑為圓形。
- AST為客戶指定之可調行程。

- The length and size of the axis were not specific when being enlarged or reduced. The size of the axis will be constructed according to the specification tablet.
- When this series of stroke exceeds(includes) 1500mm, as see the property information for the length of the piston. Within 1500mm see the (PM) length of piston.
- When this series of stroke exceeds(includes) 2000mm, the fixed base of the pull rod must be added in the middle.
- The screw nut specification of this series of axis over M50 is round and W stands for its external diameter.
- AST is the custom made adjustable stroke.