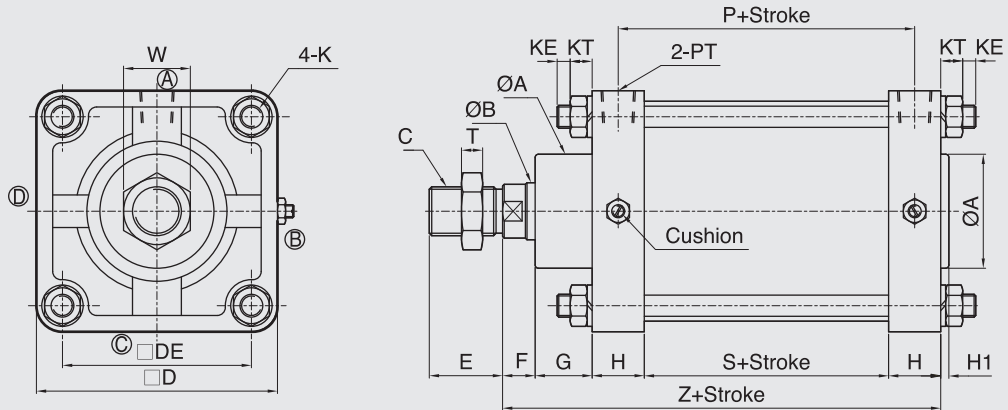
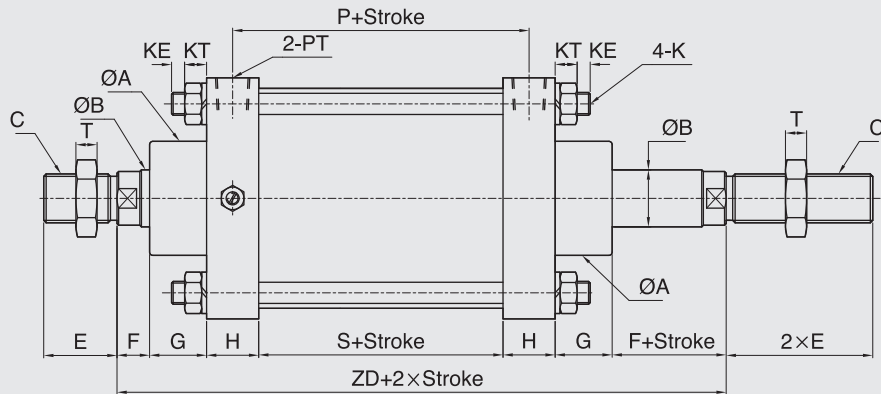


大型鑄件氣缸尺寸圖
HA Series Dimensional Features(0.99Mpa)

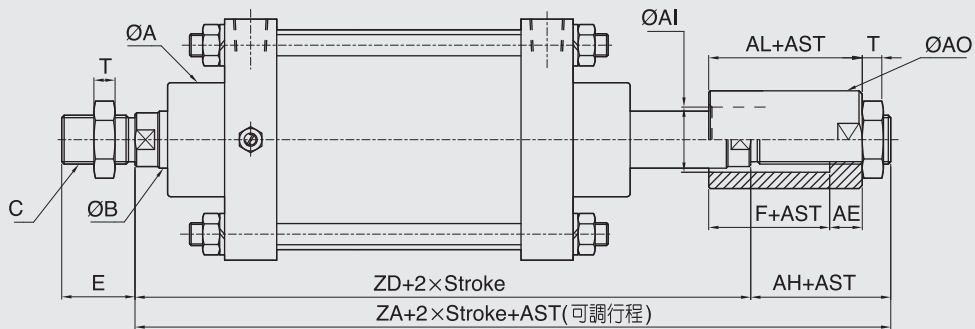
HAB HA+B (標準型) TYPE



HAD HA+D (雙軸型) TYPE



HAD HAD+AST (雙軸型附可調帽) TYPE



HAB-HAD TYPE

BORE	SIZE	HAB-HAD TYPE																				A (可調帽) TYPE					
		ØA	ØB	C	□D	□DE	E	F	G	H	H1	K	KE	KT	P	PM	PT	S	T	W	Z	ZA	ZD	AH	AE	ØAI	ØAO
Ø125	70	35	M30XP1.5	148	116	45	20	35	32	5	M14XP1.5	13.5	14.5	82	30	1/2	50	13	41	169	264	224	40	25	45	60	45
Ø150	75	40	M30XP1.5	172	134	50	20	35	40	9	M16XP1.5	13	17	100	35	1/2	60	15	55	195	290	250	40	25	45	60	45
Ø180	90	50	M40XP2.0	211	165	50	25	40	45	13	M18XP1.5	12.5	20	110	40	3/4	65	15	55	220	335	285	50	30	60	80	55
Ø200	90	50	M40XP2.0	230	185	50	25	40	43	13	M18XP1.5	14.5	20	109	40	3/4	65	15	55	216	331	281	50	30	60	80	55
Ø250	118	70	M60XP2.0	276	223	70	35	43	55	13	M22XP1.5	17	23	145	70	3/4	90	20	80	278	421	356	65	35	80	100	70
Ø300	118	70	M60XP2.0	330	270	70	35	30	49	-	M30XP2.0	8.5	32.5	149	70	1	100	20	80	263	393	328	65	35	80	100	70

備註:

- 軸心加大如未註明長度尺寸時,依照本公司規定自行加工。
- HA Ø250, Ø300規格標準型不附緩衝,如須緩衝另行報價。
- HA 行程超過 1500(含)mm時,活塞(PM)長度為加倍長(尺寸P,S,Z,ZD,ZA須再加PM 長度之尺寸乙次)。
- HA 行程超過 2000mm(含)時,須加拉桿中間固定座。
- 軸心螺帽規格M50以上為圓型,W為其外徑。
- AST 為客戶指定之可調行程。

- The length and size of axis were not specific to constructed must be according to our company design's modify without prior notice.
- The series HAØ250~Ø300 standard type will no cushion attached, and it has to order when need it.
- The series stroke exceed (includes) 1500mm, should redouble length (PM) of piston. (Add twice length PM of size:P,S,Z,ZD,ZA).
- When this series of stroke exceeds(includes) 2000mm,the fixed base of the pull rod must be added in the middle.
- External diameter is round ,and when rod nut (ØW) exceed M50.
- AST:Adjustable stroke by customer assigment.